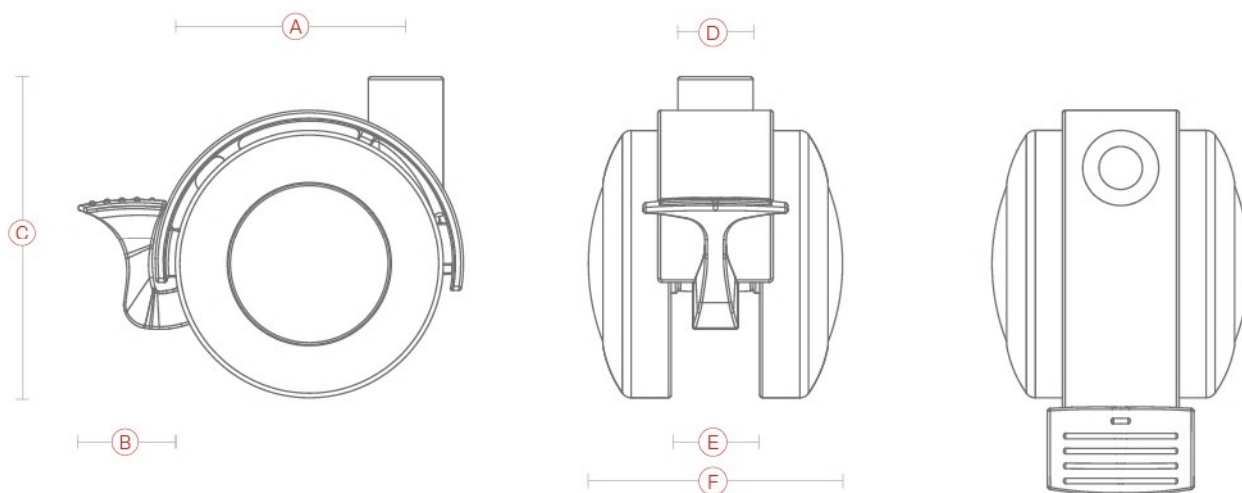


Jason⁴⁰ ⁵⁰



Measures

LOAD CAPACITY IN KG

Ø50 Ø40
39,9 34,5

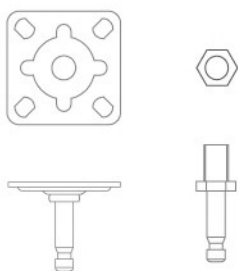
Ø50 Ø40

	Ø50	Ø40
A	43	33,5
B	17,5	16
C	60	49,5
D	14	14
E	16,5	17
F	47	45,5

Colours

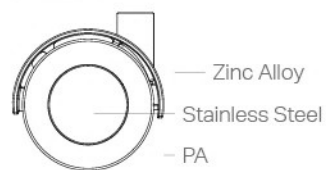


Fixing - Fastening indications

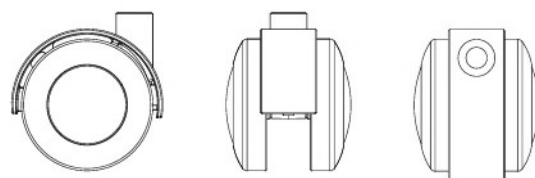


Ø50	38x38x2	M8x15
		M10x15
Ø40	38x38x2	M8x15
		M10x15

Material



Without brake



* more fittings available