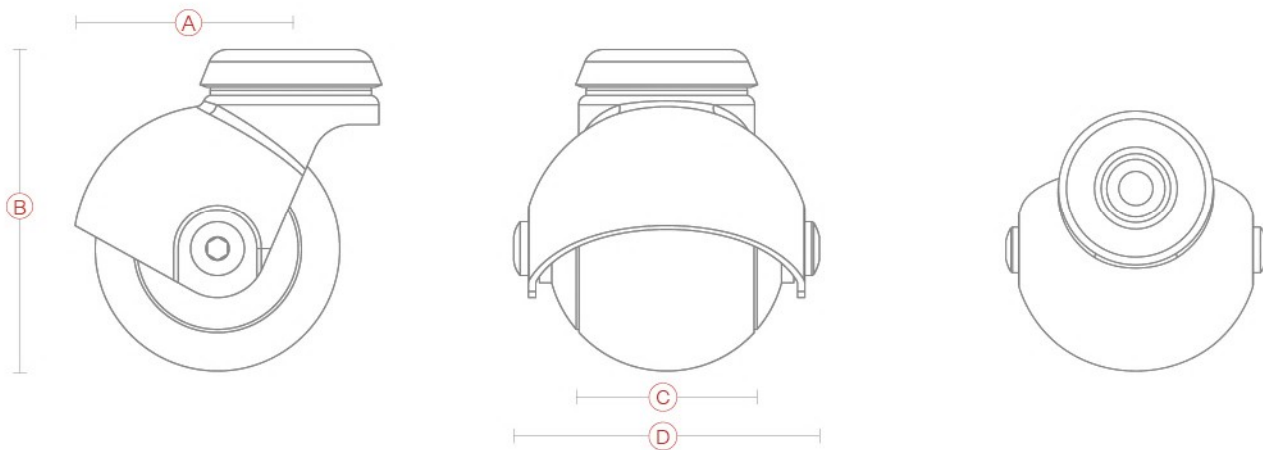


Maria⁵⁰



Measures

LOAD CAPACITY IN KG

Ø50
29,9

Ø50

A	40
B	65,5
C	34
D	61,5

Colours

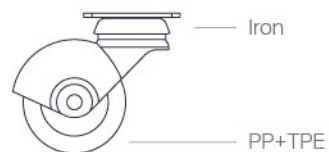


Fixing - Fastening indications



Ø 50 47x47x2,5 M8x15
M10x15

Material



* more fittings available