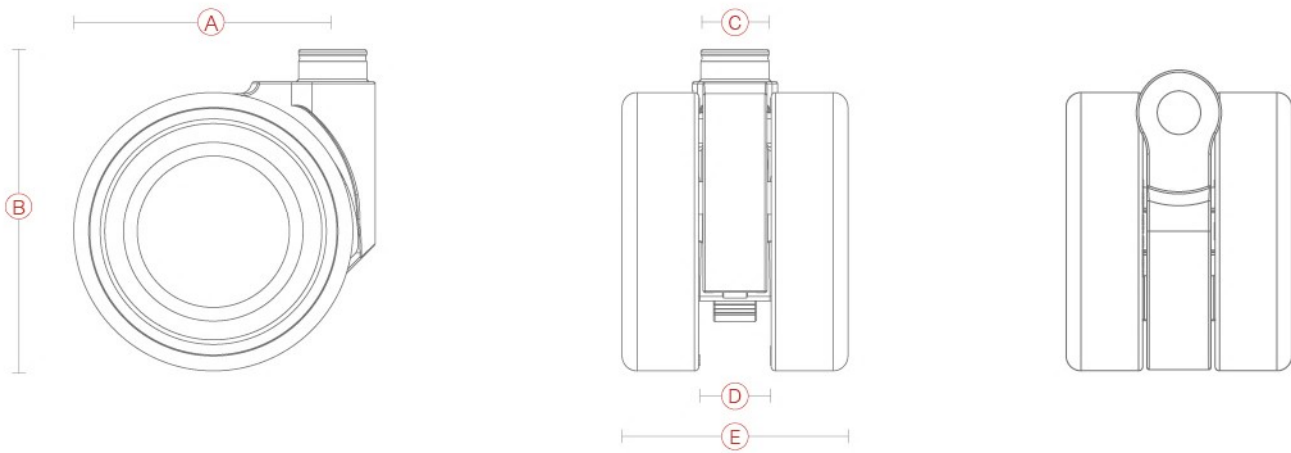


# Frog<sup>65</sup>



## Measures

### LOAD CAPACITY IN KG

**Ø65**  
42,5

**Ø65**

A	61
B	75,5
C	16
D	18
E	54

## Color



## Fixing - Fastening indications



**Ø 65** 47x47x2,5



M8x15  
M10x15



Ø11x22

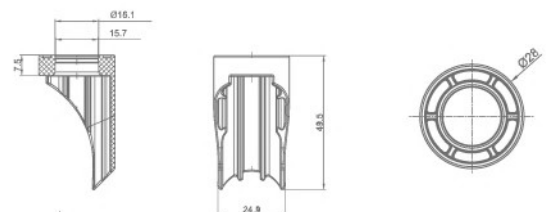


Ø11x22

## Material



## Collar Ø28



\* more fittings available

\*\* more collars available (Ø20, Ø28, Ø38)